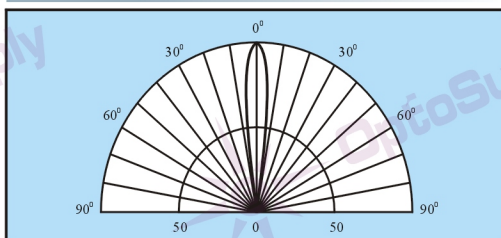




Characters

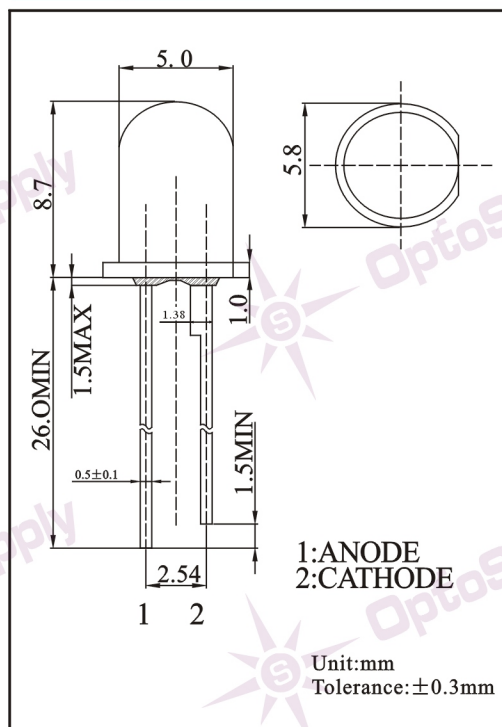
- Viewing angle 15 deg

Directive characteristics (Ta=25°C)



Relative Luminous Intensity

Package Outlines (Unit:mm)



Absolute Maximum Ratings (Ta=25°C)

| Item | Symbol | Value | Unit |
|-----------------------|--------|----------|------|
| DC Forward Current | IF | 100 | mA |
| Pulse Forward Current | IFP | 150*1 | mA |
| Reverse Voltage | VR | 5 | V |
| Power Dissipation | PD | 500 | mW |
| Operating Temperature | Topr | -30~+80 | °C |
| Storage Temperature | Tstg | -30~+100 | °C |

*1 Duty 1/10 Pulse Width 10 ms

Electrical and Optical Characteristics

| Part Number*2 | Emitting Color | Lens Type | Forward Voltage VF (V) | | Chromaticity Coordinates*4 | | | | Luminous Intensity Iv (mcd)*3 | | Reverse Current IR (μA) At VR=5V |
|---------------|----------------|-------------|------------------------|------|----------------------------|------|------|------|-------------------------------|--------|-------------------------------------|
| | | | Typ. | Max. | x | y | Min. | Max. | Min. | Max. | |
| | | | | | | | | | | | |
| OSPW5111P | White | Water Clear | 3.6 | 4.2 | 0.19 | 0.29 | 0.21 | 0.28 | 30,000 | 50,000 | <10 |

Electrical and Optical Characteristics

| Part Number*2 | Emitting Color | Lens Type | Forward Voltage VF (V) | | Dominant Wavelength λd (nm)*5 | | Luminous Intensity Iv (mcd)*3 | | Reverse Current IR (μA) At VR=5V |
|---------------|----------------|-------------|------------------------|------|-------------------------------|------|-------------------------------|--------|-------------------------------------|
| | | | Typ. | Max. | Typ. | Max. | Typ. | Max. | |
| | | | | | | | | | |
| OSUB5111P | Blue | Water Clear | 3.6 | 4.2 | 470 | 475 | 10,000 | 15,000 | <10 |
| OSPG5111P | Pure Green | Water Clear | 3.6 | 4.2 | 525 | 530 | 30,000 | 70,000 | <10 |
| OSBG5111P | Bluish Green | Water Clear | 3.6 | 4.2 | 505 | 510 | 30,000 | 70,000 | <10 |
| OSHR5111P | Red | Water Clear | 2.2 | 2.6 | 625 | 630 | 30,000 | 70,000 | <10 |
| OSOR5111P | Orange | Water Clear | 2.2 | 2.6 | 600 | 610 | 30,000 | 70,000 | <10 |
| OSYL5111P | Yellow | Water Clear | 2.2 | 2.6 | 585 | 595 | 30,000 | 70,000 | <10 |

*2 See table for Luminous Intensity Ranks

*3 Axial Direction (Luminous Intensity)

*4 Please refer to CIE 1931 chromaticity diagram

*5 Devices are sorted by 5nm wavelength ranges

Package

- Bulk..... 100pieces/bag (Code No.1)
- Bulk..... 200pieces/bag (Code No.2)
- Bulk..... 500pieces/bag (Code No.5)