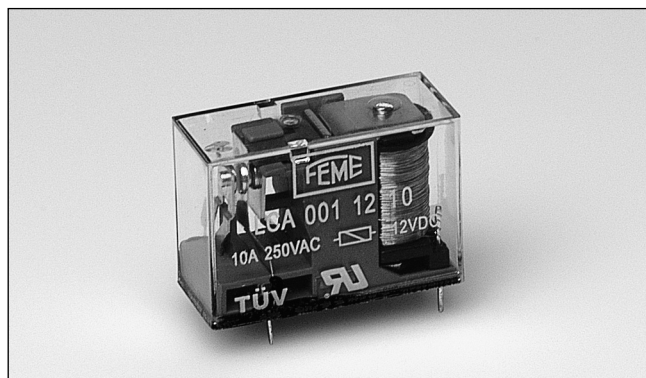


Miniature Relays Series LC

Type LC A - 1 pole 10 A

Monostable



- Miniature size 20 mm
- PCB mounting
- 5 kV / 8 mm insulation
- Switching capacity 10 A / 250 VAC
- General purpose, industrial electronics
- Low coil power consumption
- Sealed

Product Description

Miniature PCB power relay.
Low Profile Execution.

Approvals



Type selection

Contact configuration	Contact rating	Contact code
1 change over contact (SPDT-CO [1-form C])	10 A	001
1 normally open contact (SPDT-NO [1-form A])	10 A	100

Coil Data, DC (20°C)

Rated voltage VDC	Winding resistance $\Omega \pm 10\%$	Operating range		Drop-out voltage (must release) VDC	Rated power consumption mW
		Pick-up voltage VDC	max VDC		
3	17	2.4	3.9	0.15	540
5	46	4.0	6.5	0.25	540
6	67	4.8	7.8	0.3	540
9	150	7.2	11.7	0.45	540
12	270	9.6	15.6	0.6	540
24	1050	19.2	31.2	1.2	540
48	4250	38.4	64.4	2.4	540
60	6670	48.0	90.0	3.0	540
110	22400	88.0	143.0	5.5	540

Contact Characteristics

Material	Ag SnO	Power	
Current		Max. switching power (with resistive load)	2880 VA / 360 W
Rated switching current with resistive load	10 A	Min. switching current (typical value)	100 mA at 5 VDC
Maximum switchin current With resistive Load	12 A	Electrical life	250 VAC - 10 A - $\cos\phi$ 1
Voltage		Mechanical life	1x10 ⁵ ops.
Rated voltage	250 VAC / 30VDC		1x10 ⁷ ops.
Initial contact resistance	Ag SnO < 100m Ω (1A 6VDC)		

Ordering Key

LC A 001 24 10

Type _____
Version _____
Contact code _____
Coil rated voltage _____
VDC=Direct voltage _____
Contact rating _____

Version

A = Ag SnO Footprint 3.5 mm (Standard)
C = Ag SnO + Au 5 μ m Footprint 3.5 mm

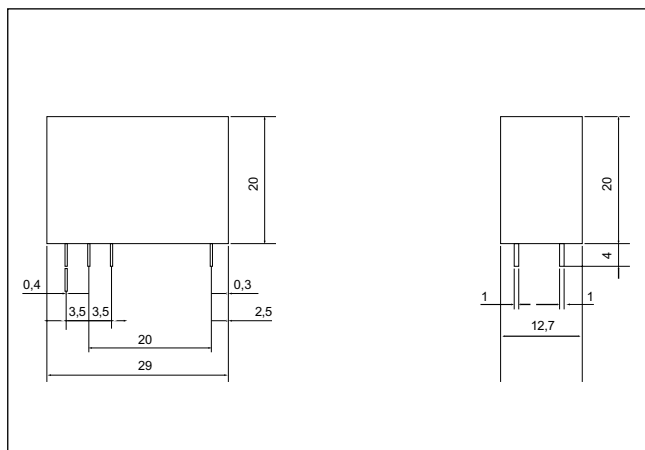
Insulation

Test voltage (1 min.) Open contacts Coil/contacts	1000 VAC 5000 VAC
Shock resistance Operating extremes Damage Limits	10 G 100 G
Insulation resistance 500 VCC	100 MΩ

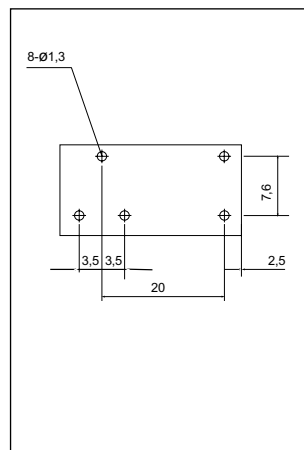
General Data

Operating time at rated voltage	20 ms
Release time	10 ms
Ambient temperature (at rated voltage)	-40°C a + 85 °C
Inside protection (IEC 144)	IP67
Working class type of service	C/Continuous
Soldering bath temperature	260 °C max.
Soldering time	5 s max.
Weight	14 g ~

Dimensions



Pin View



Wiring Diagram

