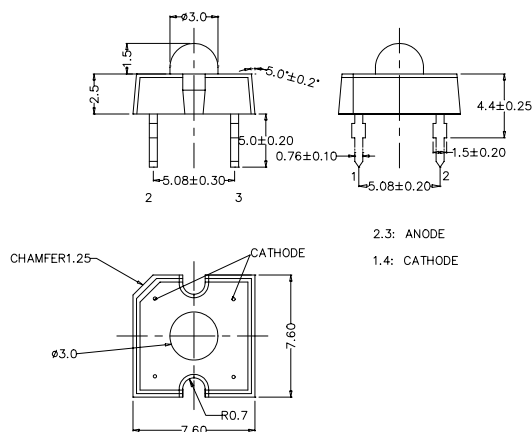


■Features

- Super Flux Output
- Water Clear Type
- Superior Weather-resistance
- Design For High Current Operation.

■Applications

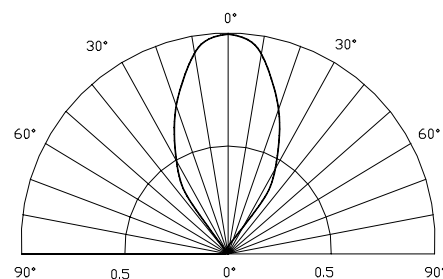
- Automotive Dashboard Lighting
- Traffic signal lamp
- Other Exterior Lighting

■Outline Dimension

■Absolute Maximum Rating

(Ta=25)

Item	Symbol	Value	Unit
DC Forward Current	I_F	100	mA
Pulse Forward Current[1]	I_{FP}	200	mA
Reverse Voltage	V_R	5	V
Power Dissipation	P_D	180	mW
Operating Temperature	T_{opr}	-40 ~ +95	
Storage Temperature	T_{stg}	-40 ~ +100	
Lead Soldering Temperature[2]	T_{sol}	260 /5sec	-

Notes: 1. Pulse width Max.10ms Duty ratio max 1/10.
2.2mm below package base.

■Directivity

■Electrical -Optical Characteristics

(Ta=25)

Item	Symbol	Condition	Min.	Typ.	Max.	Unit
DC Forward Voltage	V_F	$I_F=20mA$	1.8	2.0	2.4	V
DC Reverse Current	I_R	$V_R=5V$	-	-	30	μA
Domi. Wavelength	λ_D	$I_F=20mA$	585	590	595	nm
Luminous Intensity	I_v	$I_F=20mA$	1120	1560	2500	mcd
		$I_F=70mA$	*3000	*4200	*5800	
50% Power Angle	$2\theta_{1/2}$	$I_F=20mA$	-	60	-	deg

Notes:

- * Luminous Intensity with asterisk measured at 70mA.
- Drive current between 10 mA and 30 mA are recommended for long term performance
- Operation at current below 10 mA is not recommended