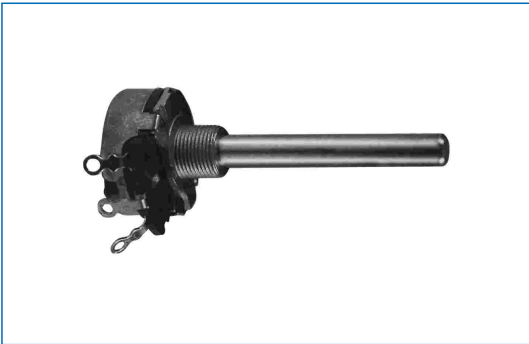


Series AW

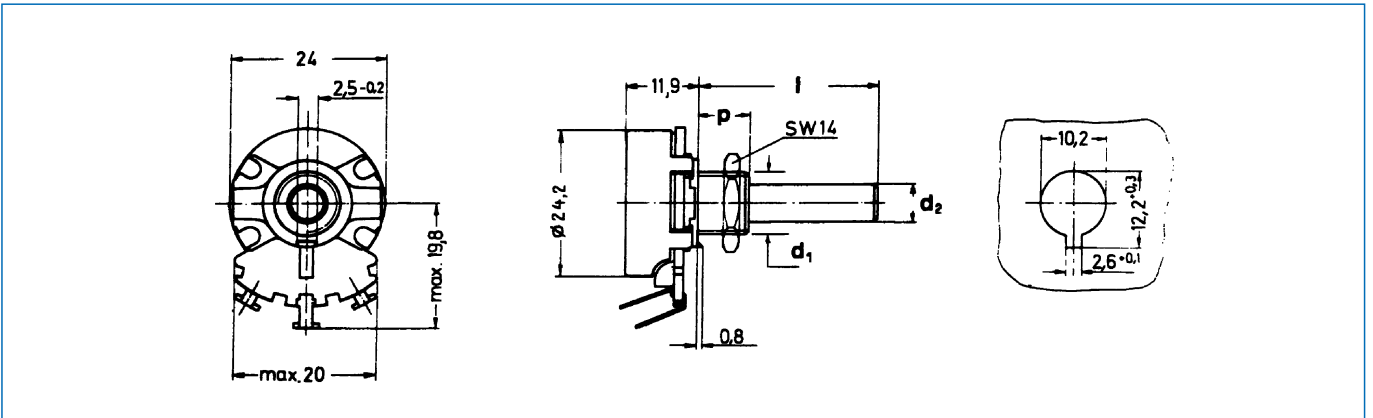
Ordering code no.: 31 046

Type AW

Basic design: encased, nominal width 24 mm, solder tag terminals



also available in ganged version
ordering code no. 31 047



Technical data

Rated resistance range: 5 Ω - 25 kΩ
 Resistance tolerance: ± 10 % (< 10 Ω ± 20 %) on request ± 5 %, ± 2 %
 Law (resistance taper): lin
 Independent linearity: ± 2 %
 Rated dissipation: 4 W / 40 °C
 Limiting element voltage: 500 V
 Isolation voltage: 1 kV ~
 Temperature range: - 40 °C to + 90 °C
 Temperature coefficient: see table
 Electrical travel: 280° ± 5°
 Mechanical travel: 300° ± 10°
 Operating torque: 0,7 - 3,6 Ncm
 End stop torque: 115 Ncm
 Durability: 10 000 cycles

Spindles:
Metal, plastic moulded on request
(see table)

l (mm)	p (mm)	d ₂ (mm)	d ₁
standard 50	8 or 12	6	M10 x 0,75

Temperature coefficient and resolution

RN	10Ω	25Ω	50Ω	100Ω	250Ω	500Ω	1 kΩ	2,5 kΩ	5 kΩ	10 kΩ	25 kΩ
TC-value ppm / °C	+ 400	+ 400	+ 40 - 80	+ 40 - 80	+ 40 - 80	+ 140	± 20	± 20	± 20	± 20	± 20
Resolution %	0,75	0,75	0,7	0,5	0,35	0,35	0,3	0,3	0,2	0,15	0,13