

DESCRIPTION

PT2361 is a Voice Changer IC utilizing CMOS Technology specially designed for toys, masks, telephone systems and other voice applications. It features three selectable voice effects, namely: amplifying voice, robotic voice and transposing voice (higher or lower). The input audio signals are sampled into digital signals which are rearranged to produce a totally different voice effect. Pin assignments and application circuit are optimized for easy PCB Layout and cost saving advantages.

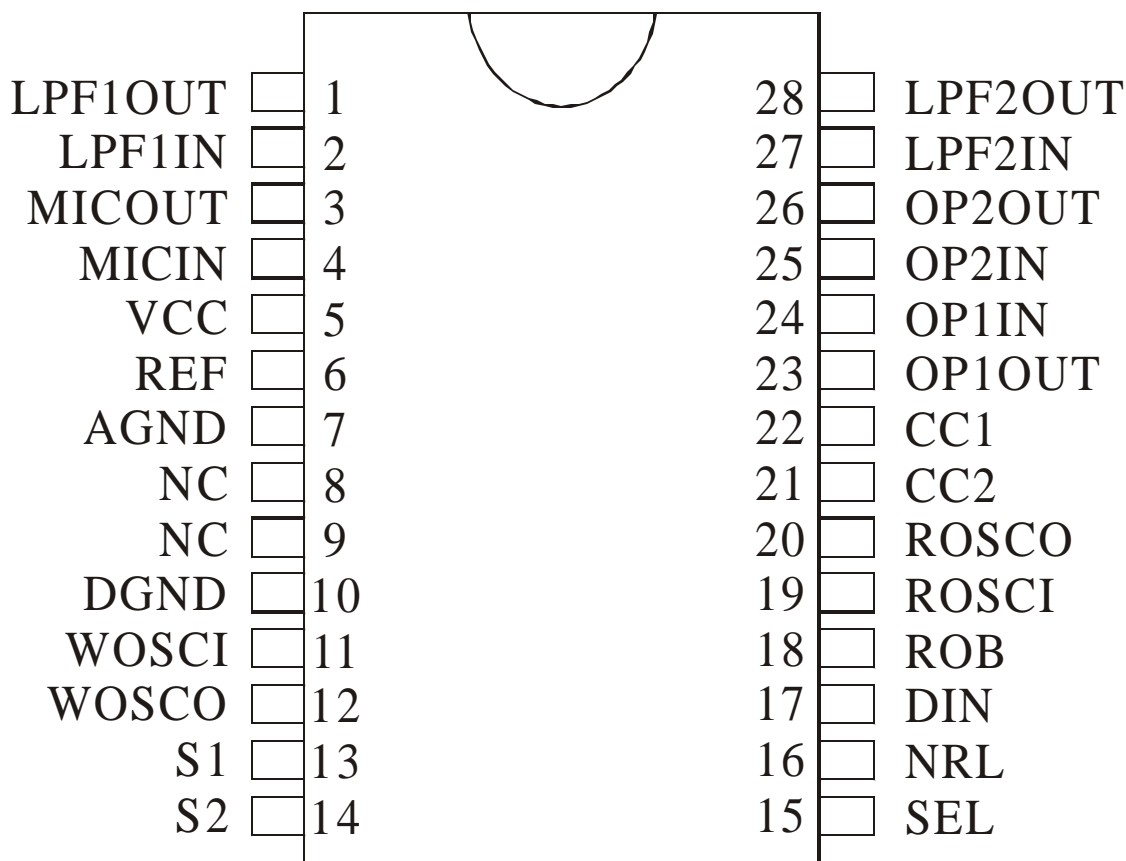
FEATURES

- CMOS Technology
- Low Power Consumption
- Selectable Voice Effects: Amplifying Voice, Robotic Voice and Transposing Voice (Higher or Lower)
- No External Memory needed
- Wide Operating Voltage Range: 3.0V to 5.5V
- Variable Resistors / Switches may be used for Transposed- Voice Effect Adjustment
- Available in C.O.B. or 28 Pins, SOP Package

APPLICATIONS

- Toy
- Mask
- Telephone System
- Other Voice Application

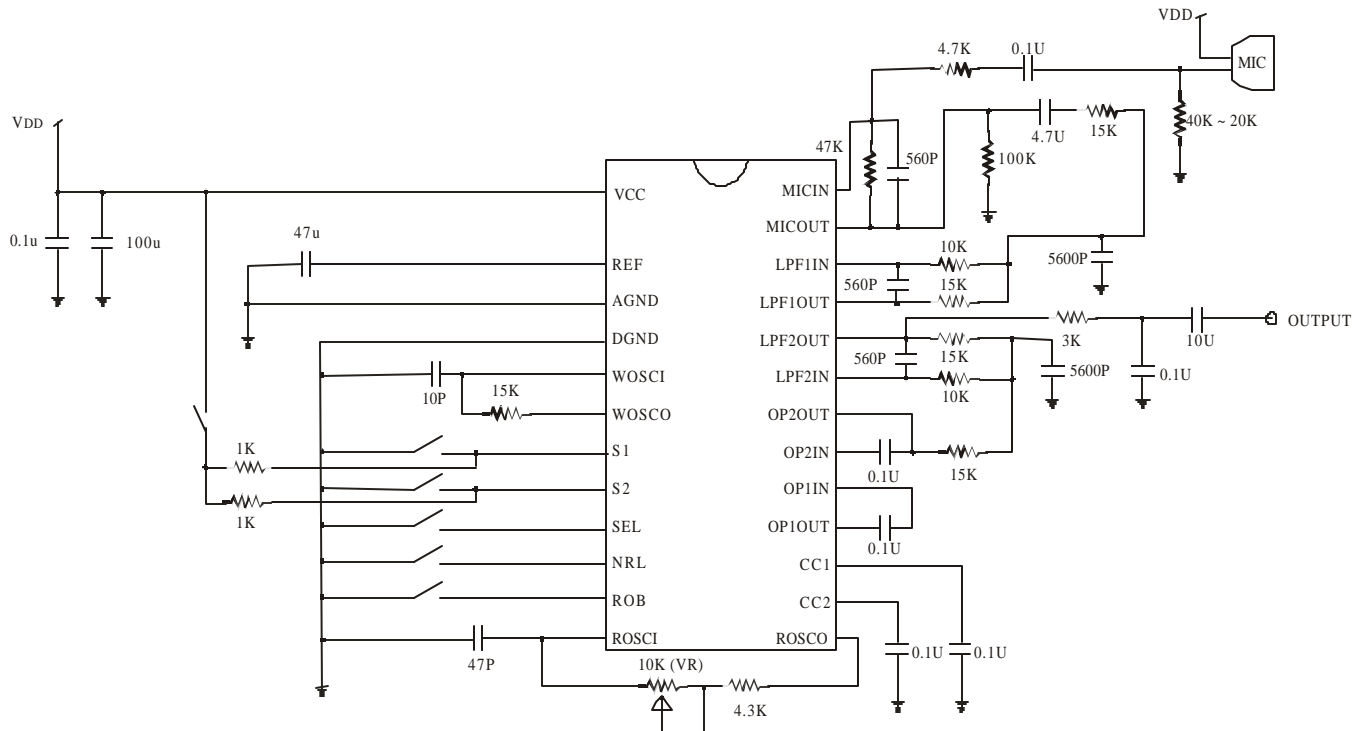
PIN CONFIGURATION



Voice Changer IC

PT2361

APPLICATION CIRCUIT



ORDER INFORMATION

Order Part Number	Package Type	Top Code
PT2361-S	28 Pins, SO Package (300 mil)	PT2361-S