



4-Mode Preset Equalizer IC

PT2381

Description

PT2381 is a pre-set equalizer IC utilizing CMOS Technology specially designed for audio equipment. It features four sound selections, namely: Classical, Pops, Rock and Normal/Flat which may be selected by the 2 control pins (SW1 and SW2).

PT2381 has 2 built-in channels - each containing an internal operation amplifier and selectable resistors. Thus, least external components are used. By connecting only 3 capacitors to each channel, the high performance pre-set equalizing function of this IC is achieved. Pin assignments and application circuit are optimized for easy PCB layout and cost saving for audio applications. PT2381 is housed in a 16-Pin DIP or SO Package and is suitable for stereo applications.

Features

- CMOS Technology
- Least External Components
- Enhanced Effects of PT2380
- Available in 16 Pins, DIP or SO Package
- 4 Sound Effect Selections Available: Classical, Pops, Rock, and Normal/Flat
- Wide Operating Voltage Range: $V_{cc} = 2 \sim 15 \text{ V}$
- Two Channels in the one chip
- Can be controlled by Micro-Processor Output Pin which is compatible with TA2078, M62412 Interface Definition

Applications

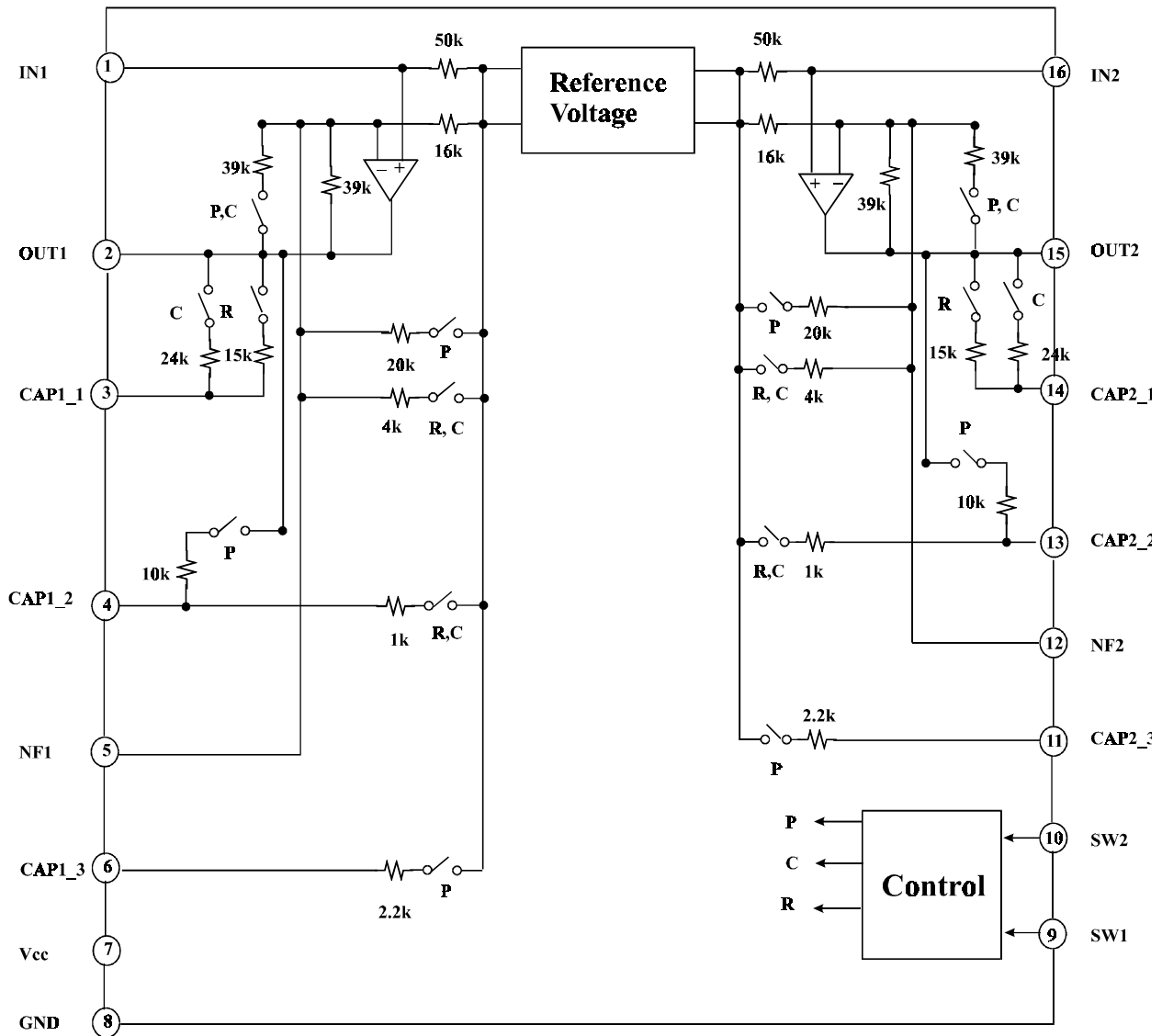
- Mini Compo
- Car Stereo
- Radio Cassette Recorders
- Multi-Media Speaker
- MPEG Card
- Mini Walk-Man
- Other Audio Equipments



4-Mode Preset Equalizer IC

PT2381

Block Diagram



where: N = Normal/Flat Mode
P = Pops Mode

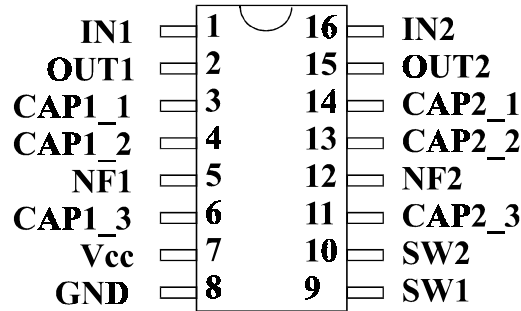
C = Classic Mode
R = Rock Mode



4-Mode Preset Equalizer IC

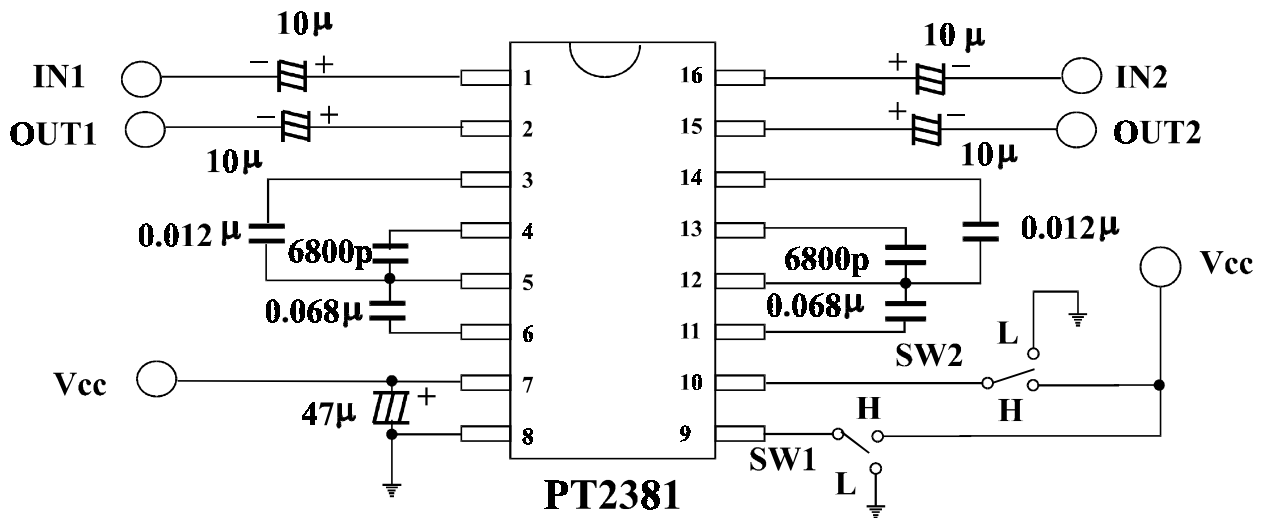
PT2381

Pin Configuration



PT 2381

Application Circuits



Note: The Capacitor's Polarity of Pins: IN1, IN2, OUT1, OUT2 are dependent on the applied DC Level of Pins IN1, IN2, OUT1, OUT2.



4-Mode Preset Equalizer IC

PT2381

